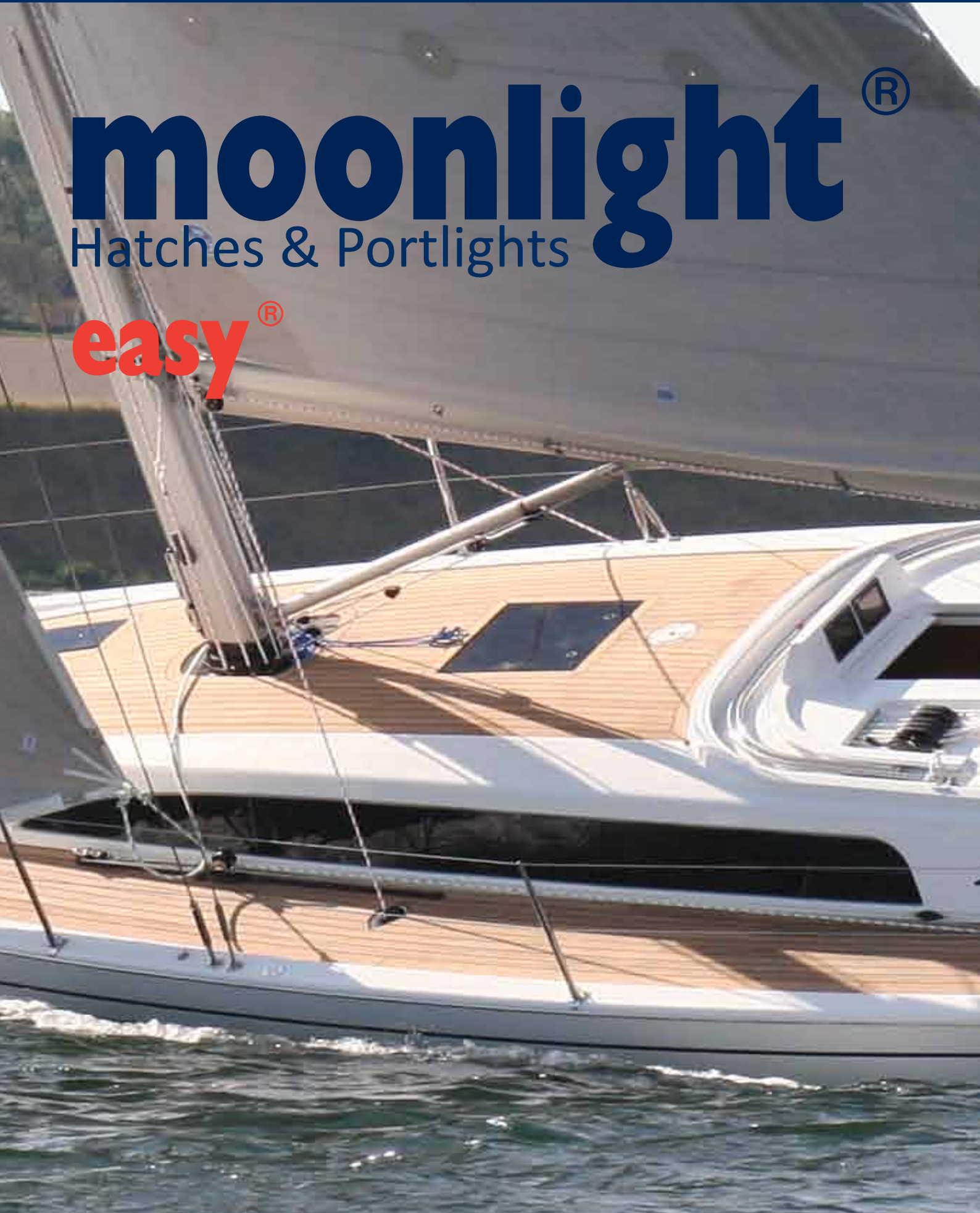


# moonlight<sup>®</sup>

Hatches & Portlights

easy<sup>®</sup>



# moonlight<sup>®</sup>

For more than 30 years, Moonlight has been the top brand for high quality marine hatches and portlight.

Moonlight was incorporated with BSI in 1992; BSI also being the manufacturer of the Easy range of blocks and stoppers, the OS Wire fittings and the world renowned range of BSI rod rigging. Recently BSI has also entered the industrial hatch market and is now one of the leading suppliers of hatches and nacelle-access systems to the wind sector.

Our force and strategy is simple – we do it ourselves. We handle the product careful from concept and design, thru selection of material, to the level of the finished product. We take pride in our products, as well as our clients !

BSI is located with headoffice and 6000 m2 manufacturing facility, in Haderslev, Denmark, and is certified according to ISO 9001:2008



# Index

Offshore hatches, 62 series .....	4-5
Portlights, 91/92 series .....	6-7
Compact flush hatch.....	8-9
Flush Portlight .....	10-11
Lowline Hatches, 55 series .....	12-13
Easymatic & Easylock.....	14-15



# OFFSHORE HATCHES - 62-SERIES

## STANDARD PROGRAMME

- Exclusive, smooth design
- Integrated friction system with same performance in all 180° ventilation positions
- Flyscreen available - all sizes
- Virgin acrylic - best quality. Smoke blue-grey, many other colours are optional
- Replaceable sealings
- Available with aluminium and plastic inner frame
- Flat based rounded shape preventing violent intrusion
- Max. visibility, no arms or stays blocking light inlet
- Sea water resistant aluminium
- Available with airvents
- Fast and easy to mount
- All sizes available in R64, R55 and R43 cut-outs
- Custom sizes available on request



Size No.	Hatch 1/2" Spigot Part No.	Hatch 1" Spigot Part No.	Cutout Size		Overall Size		Weight Kg	Acrylic Thickness		Plastic Inner frame Part No.	Flyscreen Kit Part No.	Available as Escape Hatch ISO 9094
			(mm)	(inch)	(mm)	(inch)		(mm)	(inch)			
1	622525M36	632525M36	250 x 250 - R36	9.84 x 9.84 - R36	305 x 305 - R68	12.00 x 12.00 - R68	2.3/2.4	8	.32	522525	532525 M36	-
2	623131M36	633131M36	310 x 310 - R36	12.20 x 12.20 - R36	365 x 365 - R68	14.37 x 14.37 - R68	3.2	8	.32	-	-	-
3	623420M36	633420M36	340 X 200 - R36	13.39 x 7.87 - R36	395 x 255 - R68	15.55 x 10.04 - R68	2.5/2.6	8	.32	523420	533420 M36	-
4	624141M36	634141M36	415 x 415 - R36	16.34 x 16.4 - R36	470 x 470 - R68	18.50 x 18.50 - R68	4.7/4.9	8	.32	524141	534141 M36	-
5	624532M36	634532M36	450 x 320 - R36	17.72 x 12.60 - R36	505 x 376 - R68	19.88 x 14.80 - R68	4.3/4.4	8	.32	524532	534532 M36	-
6	625050M36	635050M36	500 x 500 - R36	19.69 x 19.69 - R36	555 x 555 - R68	21.85 x 21.85 - R68	6.0/6.2	8	.32	525050	535050 M36	-
7	626262M36	636262M36	620 x 620 - R36	24.41 x 24.41 - R36	675 x 675 - R68	26.57 x 26.57 - R68	9.3/9.6	10	.39	526262	536262 M36	x
8	674343M36	684343M36	435 x 435 - R36	17.13 x 17.13 - R36	490 x 490 - R68	19.29 x 19.29 - R68	6.1/6.3	12	.47	524343	534343 M36	x

Certified in accordance with 94/25/EC and ISO 12216 location area IIa, any craft/boat type, any design category.  
 Size 9 "A1 Multihull Escape Hatch" is certified in accordance with 94/25/EC, ISO 12216 and ISO 9094 location in area I in sailing multihulls.



## CIRCULAR HATCHES STANDARD PROGRAMME

The circular hatch is made from the same strong profile as the 62-series offshore hatch. It also has the same handles and the same external friction hinge.

The round shape is used equally for sail- and powerboats, typically as fore-deck hatch. It opens 180°.

*Option: Plastic or aluminium inner frame.*



Size No.	Hatch Part No.	Cutout Hole		Overall Size (mm)		Acrylic Thickness (mm)		Spigot Height (mm)		Plastic Frame No.	Flyscreen Kit Part No.	Available as escape Hatch ISO 9094
		(mm)	(inch)	(mm)	(inch)	(mm)	(inch)	(mm)	(inch)			
1	62420D	420	16.54	475	18.70	8	.32	12,5	.50	52420D	53420D	-
2	62476D	476	18.74	531	20.91	8	.32	12,5	.50	52476D	53476D	x
3	62518D	518	20.39	573	22.56	8	.32	12,5	.50	52518D	53518D	x

### Hull thickness for inner frame

Spigot		MA 1		MA 2		MA 3	
(mm)	(inch)	(mm)	(inch)	(mm)	(inch)	(mm)	(inch)
12.5	.50	(6) - 11	(.24) - .43	10.5 - 21	.43 - .83	20.5 - 31	.81 - 1.22
25	1.00	(18,5) - 23.5	(.73) - .93	(18.5) - 33.5	(.73) - 1.32	20.5 - 43.5	.81 - 1.71

For aluminium inner frame add A to plastic inner frame No. and state hull thickness (6 weeks delivery time).





## POWER- & SAILBOAT PORTLIGHTS 91-/92-SERIES

The portlight series of Moonlight is available in both opening and fixed versions and is made to international standards. Order Moonlight portlights with plastic inner trim or finished aluminium inner trim.

All Moonlight portlights feature a UV stabilized rubber gasket attached at the factory. Sandwiched between the hull and portlight it eliminates the need for messy sealants and provides a professional finish.

Standard surface finish is silver anodized. Hand polished (high gloss stainless steel look), black anodized and powder coating in any RAL colour also available.



Size No.	Opening Version Part No.	Fixed Version Part No.	Cutout Size Xco x Yco		Cutout Radius		Overall Size Xoa x Yoa		Height Mounted (mm)	Weight (kg)	Acrylic Thickness Part No. (mm)	Flyscreen Kit Part No.	Plastic Inner Frame
			(mm)	(inch)	(mm)	(inch)	(mm)	(inch)					
1	913015A-xx	923015A-xx	304 x 155	11.97 x 6.10	52	2.04	322 x 173	13.68 x 6.81	6	1.18	10	873015	yes
2	914015A-xx	924015A-xx	405 x 155	15.95 x 6.10	52	2.04	423 x 173	16.65 x 6.81	6	1.48	10	874015	yes
3	913417A-xx	923417A-xx	347 x 171	13.66 x 6.73	52	2.04	365 x 189	14.37 x 7.44	6	1.50	10	873417	yes
4	914217A-xx	924217A-xx	428 x 171	16.85 x 6.73	52	2.04	446 x 189	17.56 x 7.44	6	1.64	10	874217	yes
5	916217A-xx	926217A-xx	627 x 171	24.69 x 6.73	52	2.04	645 x 189	25.39 x 7.44	6	2.53	10	876217	yes
8	916817A-xx	926817A-xx	688 x 175	27.09 x 6.89	52	2.04	706 x 193	27.80 x 7.60	6	2.60	10		yes (91)
9	916817A-xx	926817A-xx	688 x 175	27.09 x 6.89	52	2.04	706 x 193	27.80 x 7.60	6	2.60	10		yes (91)

Other sizes available, please request.

xx: Please state hull thickness when ordering and BSI will choose the right inner frame for you.

CE certified in accordance with ISO 12216:2002(E): area IIb for any Type of craft for any Design category



Photo: Faurby 396 sport

## ELLIPTICAL PORTLIGHTS STANDARD PROGRAMME

Size No.	Hatch Part No.	Cutout Size		Overall Size		Acrylic Thickness		Height Mounted	
		(mm)	(inch)	(mm)	(inch)	(mm)	(inch)	(mm)	(inch)
1	914621E-xx	462 x 207	18.19 x 8.15	482 x 227	18.19 x 8.94	10	.39	6	.24
1A	914621E-xx	462 x 207	18.19 x 8.15	482 x 227	18.19 x 8.94	10	.39	6	.24

91-series open version, Area IIa. 92-series fixed version, Area I.

-xx refers to hull thickness. Please state hull thickness when ordering, and BSI will choose the right inner frame for you  
Acrylic standard colour: blue-grey. Optional colours: opal white, clear, and green.



# Compact Flush Hatch (CF)

Our new Compact Flush hatch was designed with one clear objective in mind: a hatch that gives a exclusive and flush appearance on any yacht. To achieve this we use our new (pat. pending) in-house developed screw-plugs, whereby hinges and stay-arm attachments is concealed in the acrylic. Looking from the outside only a dark piece of acrylic is seen – it is flush !

The best materials are used: virgin-cast PMMA, handles in PA6-GF30, and frame in powder coated seawater resistant aluminum.

The CF can easily be configured to suit any special requirement, please see the Configuration guide.

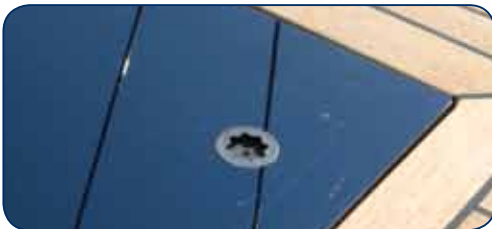
Size	Part no.	Cutout (mm)	Overall (mm)	Acrylic Thickness	Mounting Depth
1	CF22626	260 x 260 R 42,5	330 x 332 R 10	15mm	31mm
2	CF24444	442 x 442 R 42,5	512 x 514 R 10	15mm	31mm
3	CF25151	507 x 507 R 42,5	577 x 579 R 10	15mm	31mm
4	CF26363	627 x 627 R 42,5	700 x 702 R 10	15mm	31mm
Custom	CF2xxyy	Xco * Yco R 42,5	-	-	31mm

CE certified in accordance with ISO 12216:2002(E): area IIa for any Type of craft for any Design category





## Configuration guide



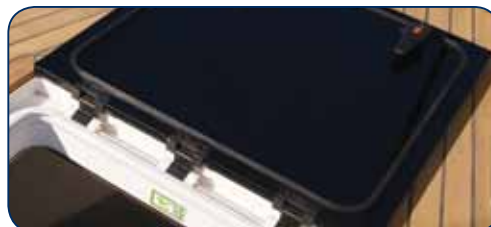
1 Option: Flush version.



1 Option: Inside handle in polished aluminum.



4 Option: With ABS or ALU-plate for teak mounting.



5 Option: 180 degrees opening hinge for race-boats.



3 Option: Gas cylinder with stop&stay

## Flush Portlight (PF)

### The PF represent a small revolution for side-window design.

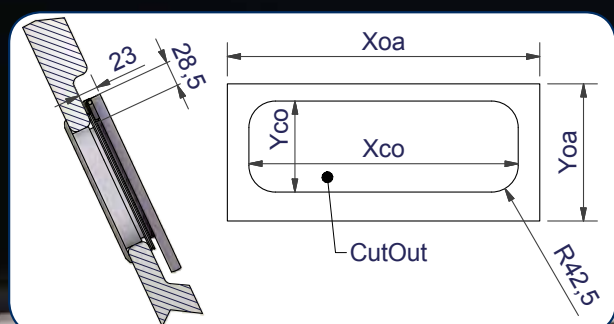
Thanks to the in-house developed (pat.pending) screwplugs, handles and friction-hinge attachments are concealed into the acrylic. Hence a exclusive and ultra flush appearance is achieved. And when integrated into a complete "side window system", it is impossible from the exterior, to see any difference between fixed and opening ports.

Looking from interior, the PF is ultra-clean as well, with only handles visible.

To give Yacht designers freedom in designing the side-window, the PF is made to be customized into almost any size and shape!

Part no.	Type	Cutout measure	Overall measure/shape	Height mounted	Innerframe
PF-2717	Opening portlight	271 x 171 R 42,50	333 x 233 R 5	23mm	available
PF-XXYY	Opening Portlight	Custom Xco * Yco R 42,5	Custom Xoa * Yoa custom shape	23mm	available
PFF-XXYY	Fixed	Custom	Custom	-	available

CE certified in accordance with ISO 12216:2002(E): area IIb for any Type of craft for any Design category





## LOWLINE HATCHES STANDARD PROGRAMME

Great care has been taken to design a hatch which meets the demands for low profile, simplicity and strength.

This series is most suitable on modern power boats as well as on small sailing crafts.

The materials used, from the acrylic to the rubber sealing, from the aluminium profiles and struts to the locking handles, are the best in the marine industry. Our standard model is with silver anodized frame and blue grey-acrylic. Hand polished (high gloss stainless steel look), black anodized and powder coating in any RAL colour also available.

*Option: Plastic or aluminium inner frame.*



Size No.	Hatch Part No.	Cutout Size		Cutout Radius		Overall Size		Height Mounted		Weight (kg)	Acrylic Thickness		Plastic Frame Part No.	Flyscreen Kit Part No.	Escape Hatch ISO 9094
		(mm)	(inch)	(mm)	(inch)	(mm)	(inch)	(mm)	(inch)		(mm)	(inch)			
1	552525 M50	250 x 250	9.84 x 9.84	50	1.97	312 x 312 x R82	12.28 x 12.28	26.5	1.04	1.51	8	.32	582525	532525 M50	
2	553420 M50	340 x 200	13.39 x 7.87	50	1.97	402 x 262 x R82	15.82 x 10.32	26.5	1.04	1.76	8	.32	583420	533420 M50	
3	554242 M50	420 x 420	16.54 x 16.54	50	1.97	482 x 482 x R82	18.98 x 18.98	26.5	1.04	4.50	8	.32	584242	534242 M50	
4	554343 M50	432 x 432	17.00 x 17.00	50	1.97	494 x 494 x R82	19.45 x 19.45	26.5	1.04	4.60	8	.32	584343	534343 M50	
5	554532 M50	450 x 320	17.72 x 12.60	50	1.97	512 x 382 x R82	20.16 x 15.04	26.5	1.04	3.67	8	.32	584232	534532 M50	
6	555037 M50	500 x 370	19.69 x 14.57	50	1.97	562 x 432 x R82	20.13 x 18.19	26.5	1.04	4.59	8	.32	585037	535037 M50	
7	555050 M50	500 x 500	19.69 x 19.69	50	1.97	562 x 562 x R82	20.13 x 20.13	26.5	1.04	5.80	8	.32	585050	535050 M50	x
8	556262 M50	620 x 620	20.41 x 20.41	50	1.97	682 x 682 x R82	20.85 x 20.85	26.5	1.04	7.65	10	.39	586262	536262 M50	x
9	554949 M98	495 x 495	19.49 x 19.49	98	3.86	557 x 557 x R130	21.93 x 21.93	26.5	1.04	7.65	8	.32	584949	534949 M98	x

Certified in accordance with 94/25/EC and ISO 12216 location area IIa, any craft/boat type, any design category.  
 CE certified in accordance with ISO 12216:2002(E): area IIb for any Type of craft for any Design category



# easy<sup>®</sup> MATIC "2-GEARS" MAINSHEET SYSTEM

## SERIES 1 - FOR BOATS UP TO 32 FEET

Which type of rope to choose?

As for all other mainsheet systems we recommend a smooth running sheet.

It is a mistaken belief that an **easy<sup>®</sup> Matic** system will take more sheet than a traditional mainsheet system with the same ratio (4:1, 6:1 or 8:1). However, if you are increasing the ratio, you will need to increase rope length proportionally e.g. 4:1 to 6:1 = + 50%.

Very often the same mainsheet can be used when changing to **easy<sup>®</sup> Matic**. We recommend the smallest possible rope dimension meaning less friction and higher efficiency. That is for series 1: Ø 8 mm (10 mm) and for series 2: Ø 10 mm (12 mm).

## SERIES 2 - FOR BOATS UP TO 42 FEET

Combinations with **easy<sup>®</sup> Matic** for cruising and racing

On these pages we have shown the most common combinations of **easy<sup>®</sup> Matic** mainsheet blocks series 1 and 2.

For cruising sailors the advantage is even more obvious. You can simply add another gear to your mainsheet system.

For yachts with center sheeting

The two combinations shown are especially suitable for racing yachts, one design classes.

The advantage of the center sheeting system is that you will always have the same angle to the cleat independent of the position of the boom.



Series 1	Part No.	App. max. boat size	App. max. main sail area
4:1 / 2:1	93101	25'	195 sq.ft.
	93112	7.5 m	18 sq.ft.
6:1 / 3:1	93102	32'	302 sq.ft.
	93103	10.0 m	28 sq.ft.
8:1 / 4:1	93104	32'	302 sq.ft.
	93102-20	10.0 m	28 sq.ft.

Series 2	Part No.	App. max. boat size	App. max. main sail area
6:1 / 3:1	93702	38'	356 sq.ft.
	93703	11.5 m	32 sq.ft.
8:1 / 4:1	93701	42'	356 sq.ft.
	93704	13.5 m	42 sq.ft.

# easy<sup>®</sup> LOCK - 1, MINI, MIDI & MAXI

## easy<sup>®</sup> LOCK 1

LINE RANGE: 6-10 mm (1/4" - 3/8")  
SAFE WORKING LOAD: 300 kgs  
RECOMMENDED FOR BOATS UP TO 28 FEET



Ref. No. Single	Ref.No. Double	Ref.No. Triple	Ref.No. Quad.	Ref.No. Quint.
BLACK 14078-10	-20	-30	-40	-50
SILVER 14078-01	-02	-03	-04	-05

## easy<sup>®</sup> LOCK MINI

LINE RANGE: 6-8 mm (1/4" - 3/8")  
SAFE WORKING LOAD: 450 kgs  
RECOMMENDED FOR BOATS UP TO 32 FEET



Ref. No. Single	Ref.No. Double	Ref.No. Triple	Ref.No. Quad.	Ref.No. Quint.
BLACK 14090-10	-20	-30	-40	-50
SILVER 14090-01	-02	-03	-04	-05

## easy<sup>®</sup> LOCK MIDI

LINE RANGE: 6-10 mm (1/4" - 1/2")  
SAFE WORKING LOAD: 700 kgs  
RECOMMENDED FOR BOATS UP TO 40 FEET



Ref. No. Single	Ref.No. Double	Ref.No. Triple	Ref.No. Quad.	Ref.No. Quint.
BLACK 14093-10	-20	-30	-40	-50
SILVER 14093-01	-02	-03	-04	-05

## easy<sup>®</sup> LOCK MAXI

LINE RANGE: 10-14 mm (3/8" - 9/16")  
SAFE WORKING LOAD: 1400 kgs  
RECOMMENDED FOR BOATS UP TO 70 FEET



Ref. No. Single	Ref.No. Double	Ref.No. Triple	Ref.No. Quad.	Ref.No. Quint.
BLACK 14094-10	-20	-30	-40	-50
SILVER 14094-01	-02	-03	-04	-05



BSI

Fjordagervej 34-36  
6100 Haderslev  
Denmark  
Phone: +45 7322 2222  
info@bsidk.com  
www.bsidk.com

