

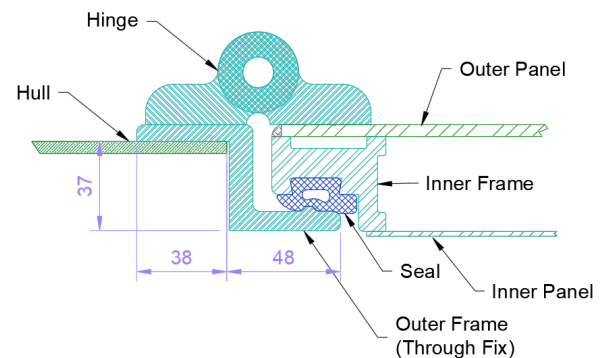
S.28 Door Kit—CM KIT 007

S280 -v3

If in doubt, Seaglaze would always recommend the use of an experienced fitting team. If you do not know any then we would be happy to point you towards some of our relevant customers who fit our products on a regular basis.



Where Things go:



What's Included:

- 6m S.28 Door Seal (SE SEA 205)
- 1x Tef-Gel-Anti-Corrosion Paste (CO LUB 027)
- 6x Shims 2mm (FT WDG 707)
- 3x G40 Door Wedge (FT WDG 601)
- 1 x construction Adhesive—Black (CO ADH 007)
- 1x 8mm Hex Key (TL HEX 080)
- 12x Machine Screws, Csk, Pozi, M6 x 14 (FA BCP 414)
- 12x Machine Screws, Csk, Pozi, M6 x 16 (FA BCP 416)
- 6x Hinge Bushes (FA BSH 608)
- 3xHinge Pins (FT HIN 561)

How to Use:

- S.28 Door Seal—Used to replace broken or damaged Seal. See M380—Replacing a Seal
- Tef-Gel—Used to coat all screws before fixing, this helps prevent corrosion.
- Shims 2mm—Spacers to adjust height of wedges/ Closing force of dogs.
- G40 Door Wedge—Used to replace damaged door wedges to ensure the door pulls in tight when closed.
- Construction Adhesive—Used to bond the seal in place.
- 8mm Hex Key—Used to remove dogs.
- Machine Screws, Csk, Pozi, M6 x 14—To hold door wedges in place.
- Machine Screws, Csk, Pozi, M6 x 16—To hold door wedges in place.

S.28 Door Kit—CM KIT 007

S280 -v2

Required Equipment:

- Screw Driver
- Cleaning Materials

Other useful instructions include...

- M240—S.24 Door Maintenance
- Z010—Recommended products for maintenance

Find our other instructions at www.seaglaze.co.uk