

S.21 Through Fix Door Kit—CM KIT 004

S211 -V1.4

If in doubt, Seaglaze would always recommend the use of an experienced fitting team. If you do not know any then we would be happy to point you towards some of our relevant customers who fit our products on a regular basis.



What's Included:

- 6m S.21 Door Seal—Self Adhesive (SE SEA 111)
- 1x Tef-Gel-Anti- Corrosion Paste (CO LUB 027)
- 12m Screw Cover (SE COV 102)
- 1x Hinge Pin (FT HIN 532)
- 2x Hinge Bushes (FA BSH 310)

How to Use:

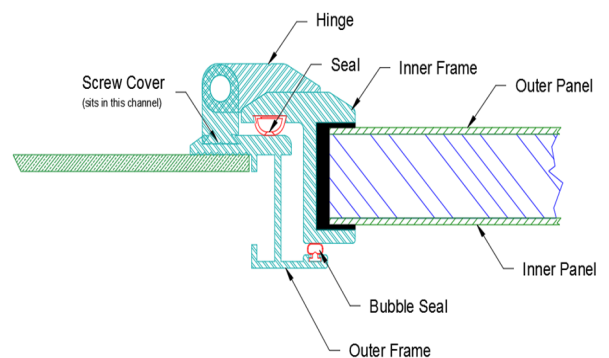
- S.21 Door Seal—Used to replace broken or damaged Seal. See M380—Replacing a Seal
- Tef-Gel—Used to coat all screws before fixing, this helps prevent corrosion.
- Screw Cover—Used to replace broken or damaged Screw Cover.

Other useful instructions include...

- M210—S.21 Door Maintenance
- Z010—Recommended products for maintenance

Find our other instructions at www.seaglaze.co.uk

Where Things go:



Required Equipment:

- Screw Driver
- Cleaning Materials