

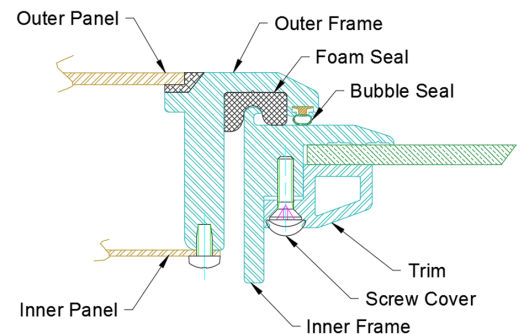
## S.22 Clamp In Door Spare Kit—CM KIT 008

S220 -v3

*If in doubt, Seaglaze would always recommend the use of an experienced fitting team. If you do not know any then we would be happy to point you towards some of our relevant customers who fit our products on a regular basis.*



### Where Things go:



### What's Included:

- 3x S.53 CWH Hinge Assembly (CM HIN 680) - Anodised Silver Satin
- 6m of 15mm x 10mm Foam Seal—Self Adhesive (SE SEA 020)
- 1x Duralac (CO LUB 023)
- 6m of Internal Screw Cover (SE COV 107)
- 6m of Brush Pile 8mm (SE SLD 005)
- 6m of Bubble Seal (SE SEA 309)
- 3x G40 Door Wedge (FT WDG 806)

### How to Use:

- Hinge Assembly—Used to replace broken or damaged Hinge.
- Seal—Used to replace broken or damaged Seal. See M380—Replacing a Seal
- Duralac—Used to coat all screws before fixing, this helps prevent corrosion.
- Internal Screw Cover—Used to replace broken or damaged Screw Cover.
- Brush Pile—Use to replace damaged or worn Brush Pile to help create a better seal.
- Bubble Seal—Use to replace damaged or worn Bubble Seal to help create a better seal.
- Door Wedge—Used to replace damaged door wedges to ensure the door pulls in tight when closed.

Other useful instructions include...

- M220—S.22 Door Maintenance
- Z010—Recommended products for maintenance

Find our other instructions at [www.seaglaze.co.uk](http://www.seaglaze.co.uk)

### Equipment Required:

- Screw Driver
- Cleaning Materials