

S.22 Weathertight Door

The Series 22 is designed to fall between our Series 21 and 24 doors in terms of outright 'weathertightness'.

Unlike the Series 21, this door can be (independently) dogged, but is lighter in weight compared to the Series 24 door.

This series is designed for use of commercial craft that operate offshore and in coastal waters. The panel on this section is strong, rigid, light, insulated and has durability. For ease of installation the S.22 door is available with a Through Fix or Clamp In frame.

Options for windows include having a single or double glazed window fitted, having the door half glazed or alternatively the door can be left fully panelled. The Series 21 can be fitted with dogs.

To complement the doors' surroundings, both the outer frame and door panels are anodised and can be powder coated in a wide range of colours.

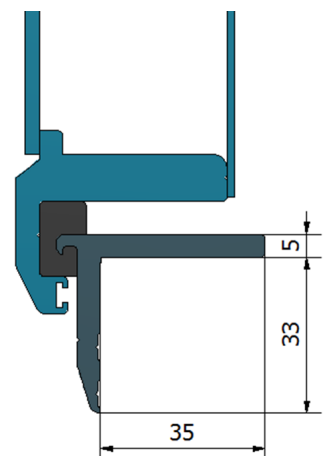
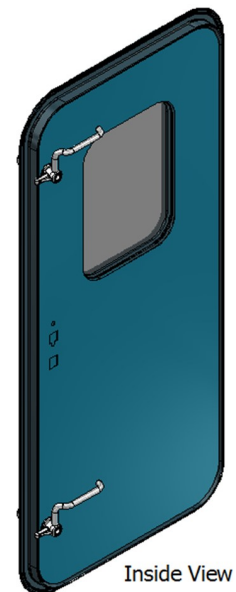
Key Points:

- Through Fix or Clamp In Frame
- Outward Opening
- Available with Slam Latch
- Independent or Linked Dogs
- 110mm Radius
- Variety of Finishes Available
- Locks Available

Window Options Include...

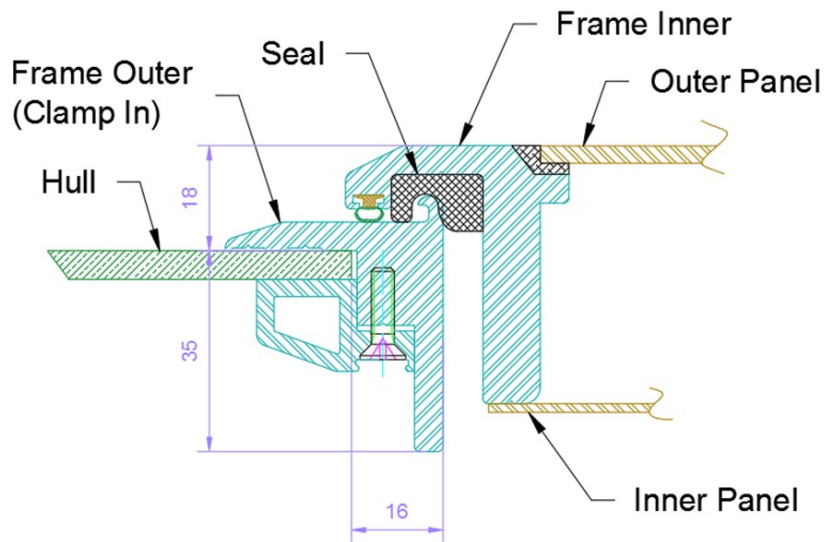
- Fixed
- Double Glazed Fixed
- Half Drop

See reverse for technical data

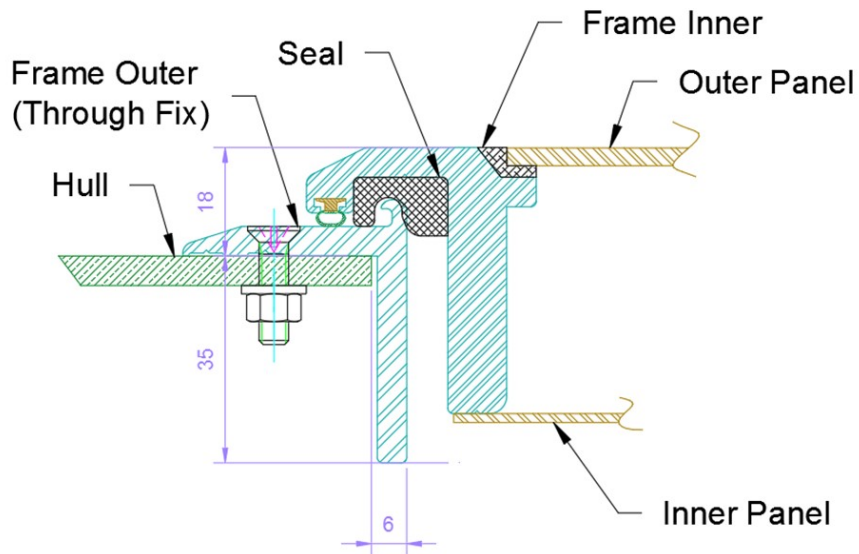


S.22 Weathertight Door

S.22 Clamp In



S.22 Through Fix



Drawings and 3D models available on request.