

CONCEALED

FRAME WINDOWS

Seaglaze NEW patented window frame gives you the flush bonded glass appearance with all the benefits of the installer's favourite clamp-in window.

This brand new frame has been designed to have improved double-glazed unit support, and include manufacturing efficiencies to allow for a more economical option over the original Seaglaze Double-Glazed Hidden Frame.

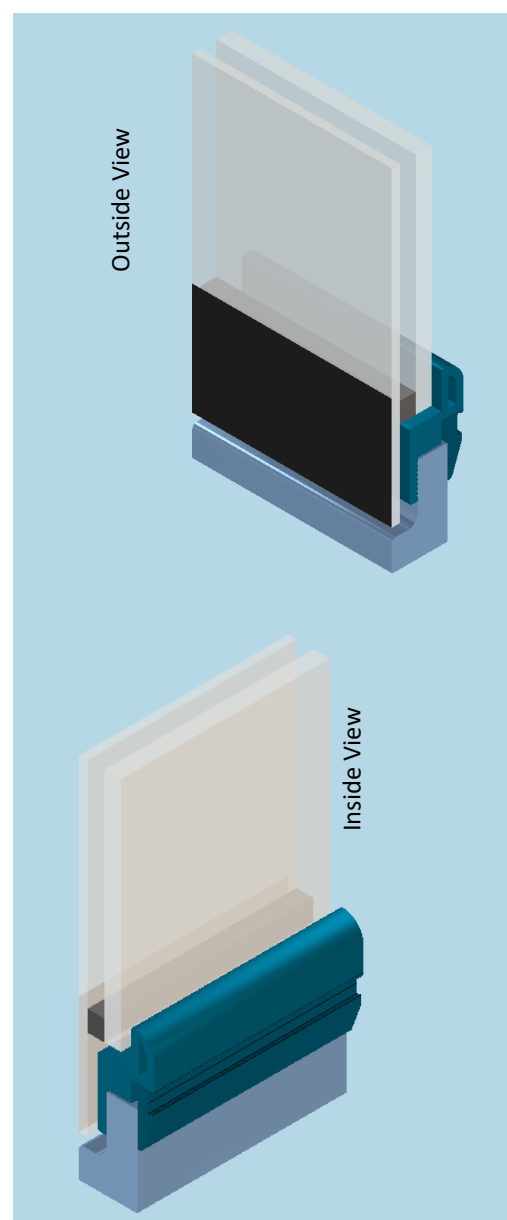
Another benefit to this window is that installation is quick and easy. The glass is printed and already bonded, so there are no adhesives to worry about and the frame is clamp in meaning no holes to drill.

The frames are only visible on the inside and are all anodised and then powder coat painted in-house to a RAL colour of your choice.

Key Points:

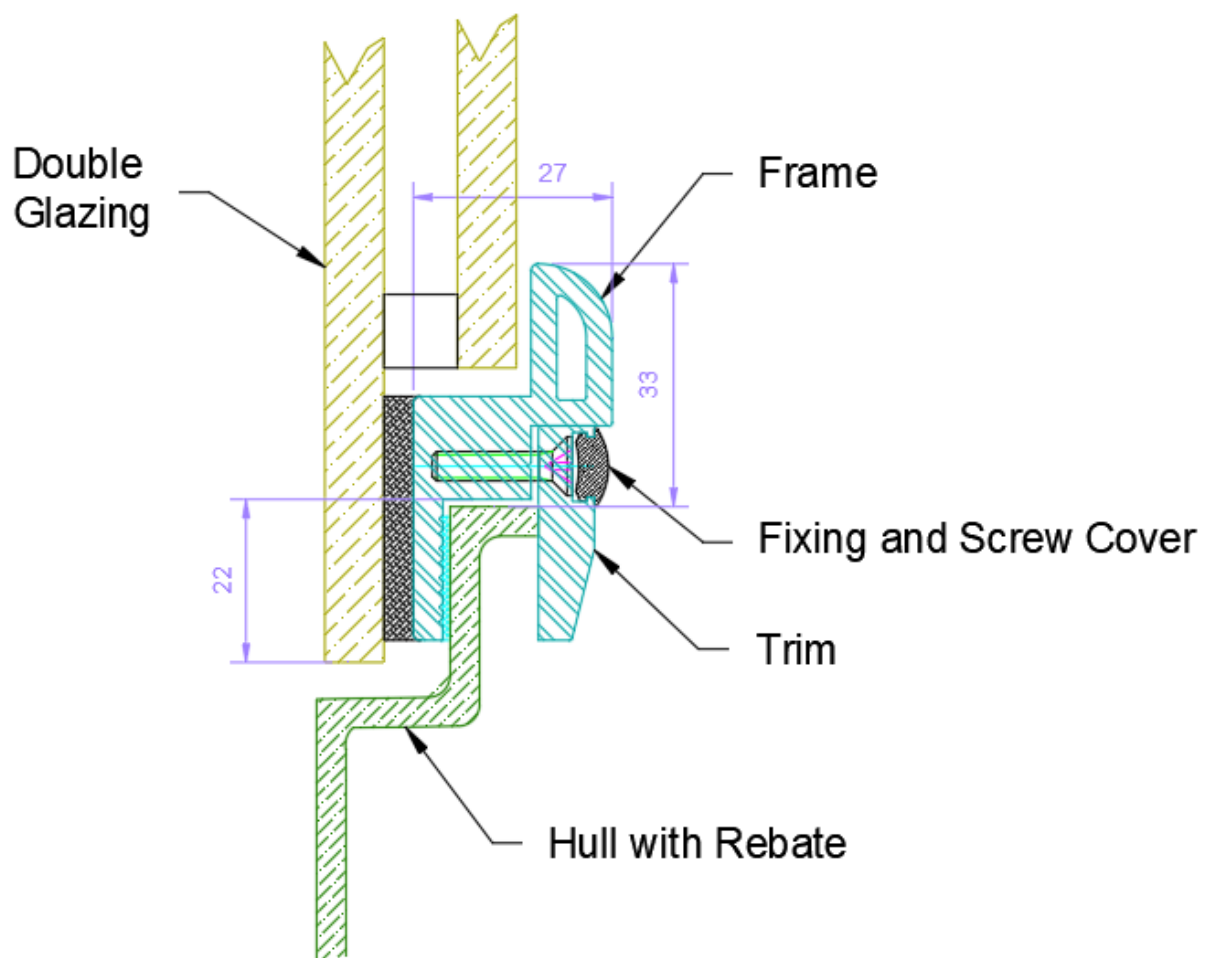
- Available in fixed option only
- Suitable for mitred apertures
- Outer glass can be shaped and overhang the frame
- Hidden fastenings on the inside face
- Available made to order to specific shapes and sizes
- Double-glazed units only

NEW FOR 2019



See Reverse for Technical Data

S.16 Clamp-in Frame



Drawings and 3D Drawings available on request.